

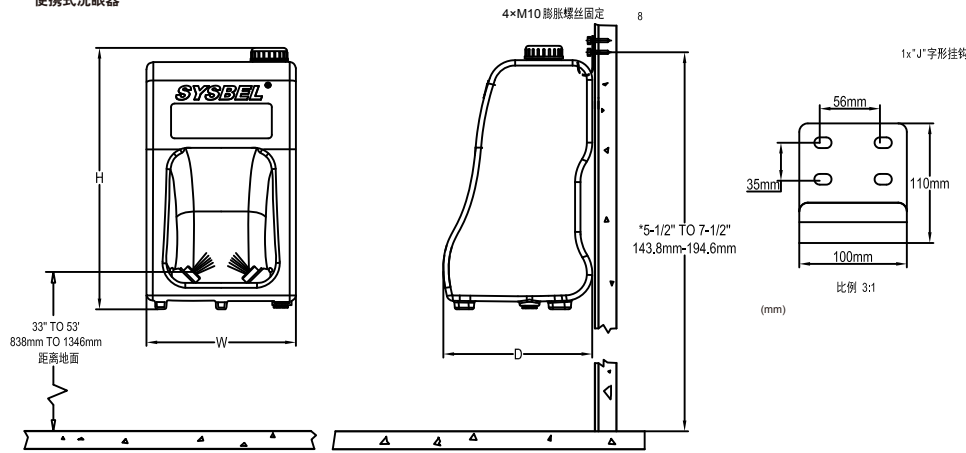


# User Manual 用户手册

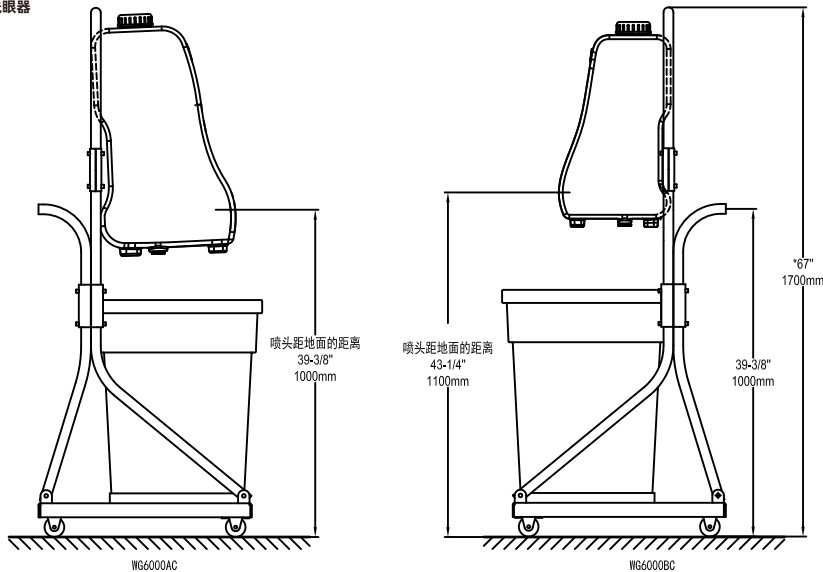
便携式洗眼器  
Portable Eyewash

安装示意图

WG6000A / WG6000B  
便携式洗眼器



WG6000AC / WG6000BC  
便携式洗眼器



- 注意:
1. 完全符合美国国家标准协会颁布的ANSI Z358.1-2014的标准, 及OSHA 29 CFR 1910.151(c)的规定:
    - 安放在操作地30米以内, 也就是受伤人员10秒内能够到达的地方。
    - 雇员应该接受正确的关于如何使用紧急洗眼器装置的培训。
    - 选择能够承重150磅(68公斤)的墙面, 墙体固定采用构型托架。
    - 洗眼喷头应该安放在离地面距离83.8cm到134.6cm之间的位置。
  2. 洗眼器安放后必须保证前后左右水平。
  3. 带“\*”的尺寸标注可能有误差, 可参照mm标注。一般尺寸的公差是±8mm。

**Thank you for using our products. As a company of caring employee safety and environmental protection, SYSBEL provides high quality products to ensure the safety of your working environment and personnel.**

SYSBEL eyewash complies with the standard of ANSI Z358.1-2014. As the emergency safety protection equipment, eyewash station series can be used for flushing the parts exposed to the splashed chemicals and other substances, such as the body, face or eyes, to promptly reduce the damage caused by chemicals and achieve rapid primary self-aid.



It complies with the regulations in ANSI Z358.1-2014 standard and OSHA 29 CFR 1910.151(C) issued by ANSI has acquired CE Certification

Discription

WG6000A / WG6000B

- It adopts PE materials, and the production materials comply with the regulations of F.D.A on the grade on PE materials for food (F.D.A. Regulation on Polypropylene: the requirements of U.S.21 CFR F.D.A. Regulation Part 177.1520, portable containers clauses (C) for food contact use),and it is superior in its high intensity, good toughness, good Rigidity, heat and cold resistance
- It complies with human engineering principle in design, and adopts the law of gravity to produce water pressure and deliver water to two nozzles for eye washing
- It applies to work places without water supply and discharge facilities and can be installed and fixed onto walls as required to provide timely and professional protection
- It complies with regulations of ANSI/SEA on emergency eye wash station and showering equipment-ANSI Z358.1-2014
- It is suggested to discharge the liquid in eye wash station weekly or as required and clean every component of eye wash station
- Wall-mounted backing plate is equipped.
- Pull the rubber cover for immediate washing.
- Easily discharge water in tank with the drainage hole at the base.
- Two ABS spray heads with dust rubber covers.
- Three supporting feet make the eyewash steady and have enough space to operate when it is transported.

WG6000AC / WG6000BC

- It consists of WG6000A and cart with waste water collection barrel
- Assembled cart is packed with a carton, which save the space and reduce logistics costs.
- The cart with black paint is bright and offers superior protection against rust and moisture.
- After hanging in the cart, the spray heads are located between 83.8-134.6cm from the floor, which comply with the requirements of ANSI Z358.1.
- The cart is equipped with two casters for braking and two casters for controlling direction, making it convenient to operate.
- Disposed of waste water collection barrel, preventing from a secondary pollution.
- It adopts the law of gravity to produce water pressure and deliver water to two nozzles for eye washing
- It applies to work places without water supply and discharge facilities, without installation requirements. The cart is equipped to facilitate moving and convenient professional emergency protection; it can also be installed and fixed onto wall
- It complies with regulations of ANSI/SEA on emergency eye wash station and showering equipment-ANSI Z358.1-2014

Trademark & Copyright

SYSBEL® is a registered trademark of SYSBEL, which is protected by law. According to copyright law, it is forbidden to copy the whole or particle content of this manual without the written consent of SYSBEL. We have tried our best to ensure that the information in this manual is correct, and if the information is updated, we will not inform you. You can check our official website at [www.sysbel.com.cn](http://www.sysbel.com.cn) any time.

## Portable Eye Wash Station

Product	Main Material	Water Capacity (L/Gal)	Flow Speed (L/min)	Flushing Time (min)	Ext. size HxWxD(mm)	Packing size HxWxD(mm)	G.W. (kgs.)	N.W. (kgs.)	Model
Portable Eyewash (Type A)	PE	60/16	2.6	18	735x420x416	436x750x435	9.5	8.5	<b>WG6000A</b>
Portable Eyewash (Type B)		30/8	2.6	9	625x350x342	357x635x360	7	6	<b>WG6000B</b>

## Portable Eyewash with Cart

Product	Water Capacity (L/Gal)	Flow Speed (L/min)	Flushing Time (min)	Accessory Products Ext. size: HxWxD(mm)	Accessory Products Packing size: HxWxD(mm)	G.W. (kgs.)	N.W. (kgs.)	Model
Portable Eyewash (Type A)	60/16	2.6	18	WG6000A: 735x420x416	WG6000A: 436x750x435	38	35.3	<b>WG6000AC</b>
				WG004: 1700x650x500	WG004: 250x665x525			
				WG6001D: 615x400x400	WG6001D: 640x580x510			
Portable Eyewash (Type B)	30/8	2.6	9	WG6000B: 625x350x342	WG6000B: 357x635x360	35.5	32.8	<b>WG6000BC</b>
				WG004: 1700x650x500	WG004: 250x665x525			
				WG6001D: 615x400x400	WG6001D: 640x580x510			



## Instruction

### Installation

**STEP 1:** According to ANSI Z358.1, make sure portable eyewash unit shall be installed in accessible locations requiring no more than 10 seconds to reach and shall be within less than 30 meters from the hazard. Employees shall be instructed in the proper use of emergency eyewash equipment.

Select a suitable mounting location for the WG6000A and the WG6000B capable of supporting 68kg and 38kg. Mount unit to wall (not designed for tabletop or shelf mounting) utilizes "J" bracket (supplied). Note: The 3/8" mounting hardware not included. The top of the mounting hole should be located between 143.8cm to 194.6cm from the floor. Mark the mounting locations onto the wall and place mounting bracket on surface. Drill necessary holes into mounting surface, and secure "J" brackets Mounting Bracket to surface using mounting hardware. The eyewash nozzles shall be between 83.8 cm (33 inches) and 134.6 cm (53 inches) above the floor when eyewash arm is in the active (lowered) position. (See the Structure Drawing).

### IMPORTANT:

Filled eyewash unit (WG6000A) is heavy (approximately 150 pounds). Mounting bracket anchors, (Quantity-4, not supplied), or shelf must be strong enough to support the filled portable eyewash and the weight of a worker leaning on portable eyewash.

**STEP 2:** Equip with a waste water collection barrel, if desired

**STEP 3:** Remove Fill Cap and fill the tank of portable eyewash with potable water (make sure that no debris or contaminants of any kind are present in it).

**STEP 4:** Take proper precautions to help prevent the growth of potentially harmful bacteria in eyewash tank. (Refer to Maintenance Instructions).

**RECOMMENDED TOOLS:** Four 3/8" diameter hardware suitable for supporting filled eyewash (approximately 150 pounds) and tools needed to install the hardware.

### Operation

Instruct all employees in the use of this Emergency Eyewash. Personnel should be assigned to check eyewash liquid level daily.

**STEP 1:** Lead patient to nearest eyewash station. Seconds can make the difference in preventing serious eye injury.

**STEP 2:** Pull black eyewash arm firmly. Eyewash arm will drop to activate eyewash.

**STEP 3:** Lower head until eyes enter eyewash stream. Use thumbs and forefingers to hold eyelids open.

**STEP 4:** Seek qualified medical attention immediately

### Maintenance

ANSI Z358.1 requires that all self-contained eyewash units shall be visually inspected weekly, unless the product is placed in environments with extreme conditions that may affect the form, fit, or function of the unit (temperature, dirt, etc.). If this is the case, then the inspection should be conducted more often as the end user deems necessary. Occasional cleaning and disinfection is recommended.

### NOTE:

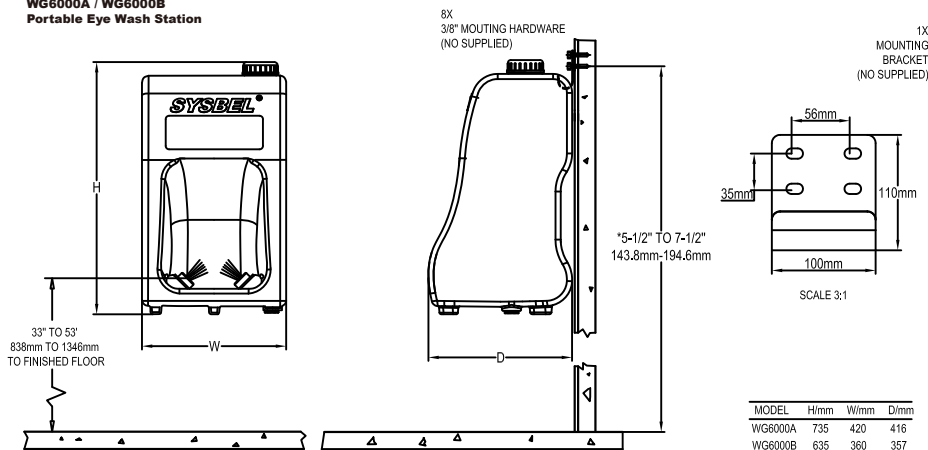
Customer must provide an inspection tag and maintain a record of inspection dates and type of maintenance performed

Take proper precautions to help prevent the growth of potentially harmful bacteria in eyewash tanks. We recommend the following procedure:

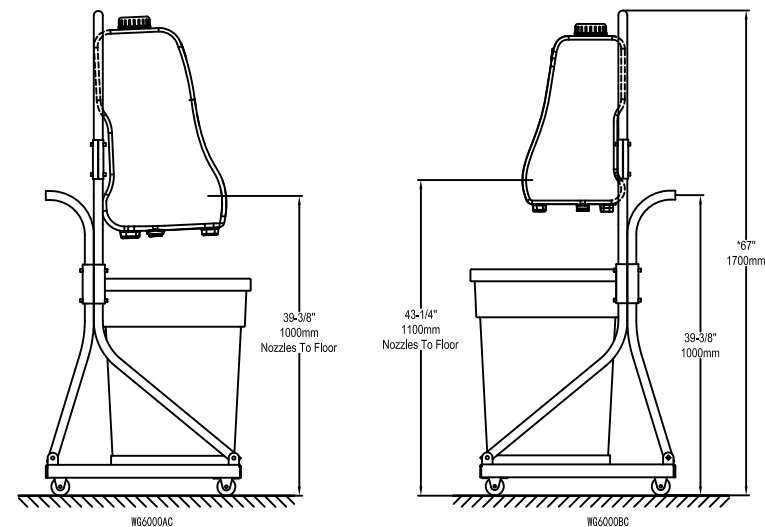
Drain, flush and refill portable units with clean potable water at least once a week. Thoroughly cleanse tank at least once every month.

## Installation

### WG6000A / WG6000B Portable Eye Wash Station



### WG6000AC / WG6000BC Portable Eye Wash Station



### NOTES:

- TO COMPLY WITH ANSI Z358.1-2014 AND OSHA 29 CFR 1910.151(C) FOR EMERGENCY EYEWASH :
  - UNIT SHALL BE INSTALLED IN ACCESSIBLE LOCATION REQUIRING NO MORE THAN 10s TO REACH AND SHALL BE WITHIN LESS THAN 30m FROM THE HAZARD.
  - EMPLOYEES SHALL BE INSTRUCTED IN THR PROPER USE OF EMERGENCY EYEWASH EQUIPMENT.
  - SELECT A SUITABLE WALL FOR THE WG6000Y CAPABLE OF SUPPORTING 150LBS(68KG) TO LOCATE.
  - EYEWASH SHALL BE POSITIONED WITH NOZZLES NOT LESS THAN 838MM(33IN). AND ON MORE THAN 1346MM(53IN).
- UNIT MUST BE LEVEL FROM FRONT TO BACK AND SIDE TO SIDE.
- DIMENSION MAY VARY 3/8"[9.525mm] ; TOLERANCE: ±8mm.